

Howard County GreenFest

Saturday, April 16, 2016 • 10 a.m. - 4 p.m.
Howard Community College



FREE and FUN for the whole family!

**Green Vendors • Free Workshops • Food
Kids Activities • Native Plant Sale • Canned Food Drive
Recycling Opportunities • Reptiles & Birds
Farmers Market • Planting • Outdoor Activities
Paper Shredding • Compost Bin & Rain Barrel Demos**

**Don't miss your chance to win the GRAND PRIZE!
visit www.HCGreenFest.org**

A message from the County Executive



I'm so glad you are able to join us for the 9th annual GreenFest, celebrating Earth Month and all the things we can do to protect our environment.

This year's GreenFest features more than 80 vendors, a dozen workshops and several exhibits, including a rain garden demonstration. Among the workshops are lessons on how to preserve food, raise backyard chickens, coexist with coyotes, and garden with native plants. There are outdoor activities including an

introduction to geocaching, a nature trail walk, and a hands-on lesson about rain gardens.

Howard County residents show their commitment to protecting the environment every day. Whether they are installing solar panels or participating in curbside recycling, Howard County citizens are greening up their lifestyles and GreenFest is a resource for those who want to see what they can do in their lives to benefit the environment.

Thanks to the more than 20 sponsors and many volunteers who made this day possible. Thanks also to Howard County's Department of Recreation and Parks, Department of Public Works Recycling Division and the Office of Community Sustainability for organizing the event.

Best regards,

A handwritten signature in black ink that reads "Allan H. Kittleman". The signature is fluid and cursive.

Allan H. Kittleman

Thank you to our sponsors:

British American Auto Care. Inc

Clark's Farm

Columbia Association

Direct Energy Solar

Energy Services Group

Green-Living Homes

Happy House n' Gardens LLC

HoCo Climate Change

Howard Commuter Solutions

Howard Soil Conservation District

**Iota Lambda Omega, Alpha
Kappa Alpha Sorority, Inc.**

Lauren's Garden Service

LeafFilter North of Maryland, Inc.

League of Women Voters

MOMs Organic Market

Real Food Real Close

Relay Foods

Solar Energy World

Standard Energy Solutions

The Community Ecology Institute

The Howard County Conservancy

Transition Howard County

**University of MD Extension Howard
County- Master Gardener
Program**

**University of MD Extension
Howard County- Watershed
Stewards Academy**

**Waste Management Recycle
America**

Schedule of Events

	Class 1 CL Room 167	Class 2 CL Room 163	Outdoor Activities
10:00			
10:30			Maryland Biodiversity Project - Sue Muller
11:00	Backyard Butterflies - Linda Hunt	Introduction to Food Preservation - Karen Basinger (University of Maryland Extension)	Intro to Geocaching - Matt Medicus (HC Recreation and Parks)
11:30	HOA Partnership Program - Terry Matthews (HC Water- shed Stewards Academy)		
12:00	Living with Wild Canids - Stacy Evans (Project Coyote)	Raising Backyard Chickens - Cathy Hudson and Van Wensil	Building a Rain Garden - Restoring the Environment and Developing Youth (READY)
12:30	Don't Grow Invasives - Betsy McMillion (Patapsco Heritage Greenway)		
1:00		Growing Great Tomatoes - Jerry Kissel (HC Master Gardeners)	Intro to Geocaching - Matt Medicus (HC Recreation and Parks)
1:30	Gardening with Locally Native Plants - Lauren Turner (Lauren's Garden Service)		
2:00	Learn About Turtles - Ray Bosmans (Mid- Atlantic Turtle and Tortoise Society)	Pollinators for Produce - How You Can Create a Garden to Help Pollina- tors Survive - Ann Coren (Transition Howard County, Ecosystem Landscaping Committee)	Nature Trail Walk - Bob Marrietta (HCC)
2:30			
3:00	Make Eco-friendly Clean- ing Supplies-Howard High School Environmental Awareness Committee	Composting at Home - The Planet Protection Program of Howard County	

Classroom N 220: Rain Barrel Workshop - Amanda Rockler (Sea Grant), 11am -12pm

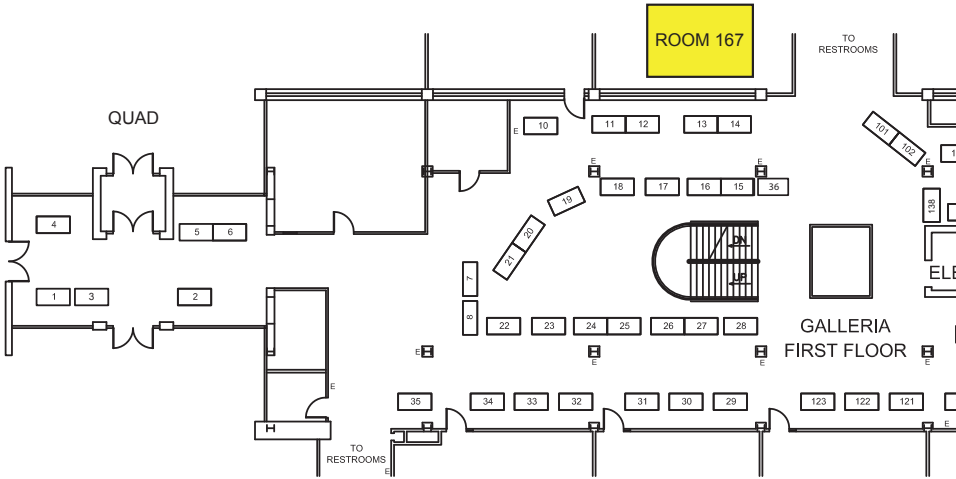
Classroom CL 162: Small Collections: 10am - 4pm, Nike "Reuse a Shoe" program, Eyeglasses, Cell phones for domestic violence victims, Denim jeans for textile recycling with "Planet Aid", CD's/DVD's for recycling, Binoculars for youth birding programs

Parking Lot A: 10am - 4pm, Goodwill Collection Truck, Bikes for the World, Habitat for Humanity

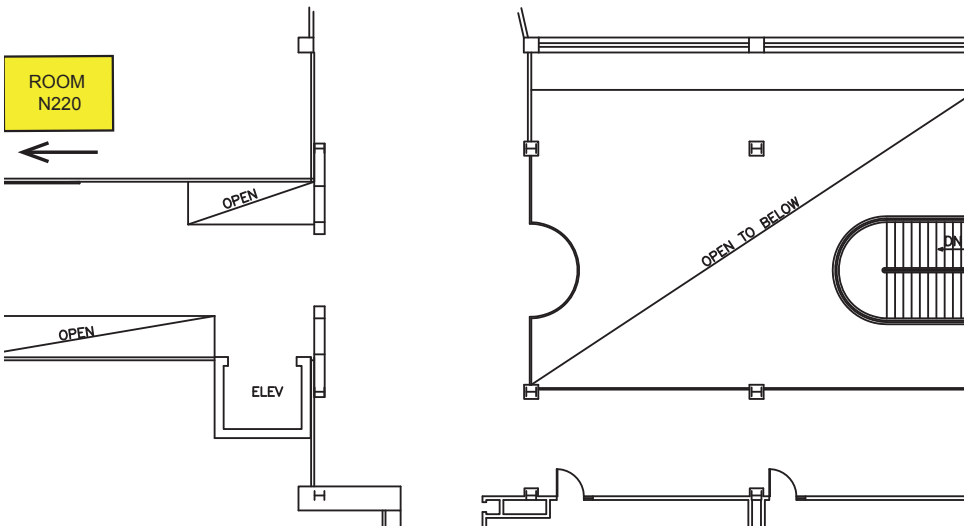
Parking Lot F: 10am - 2pm, Paper Shredding - bring up to 3 boxes or bags of paper per person

Quad: 10am - 4pm Native Plant Sale, Outdoor Play Space by Columbia Families in Nature

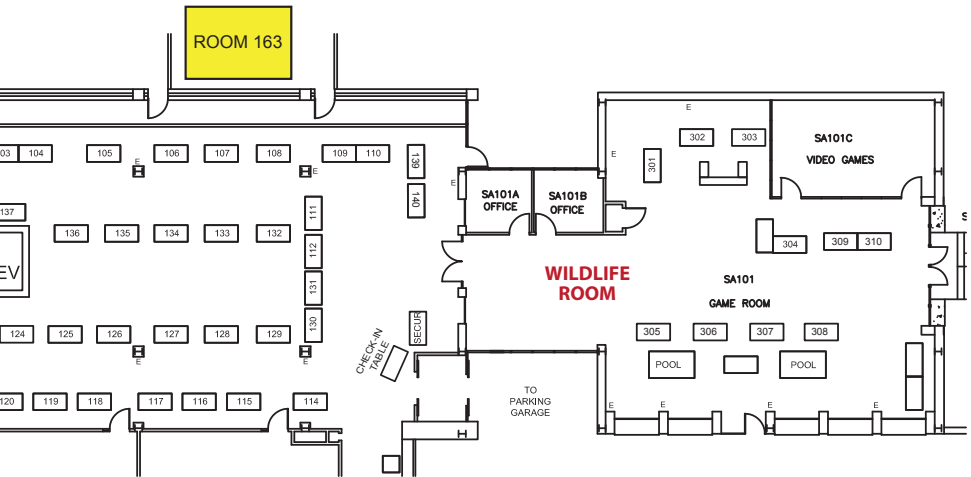
First Floor Bu



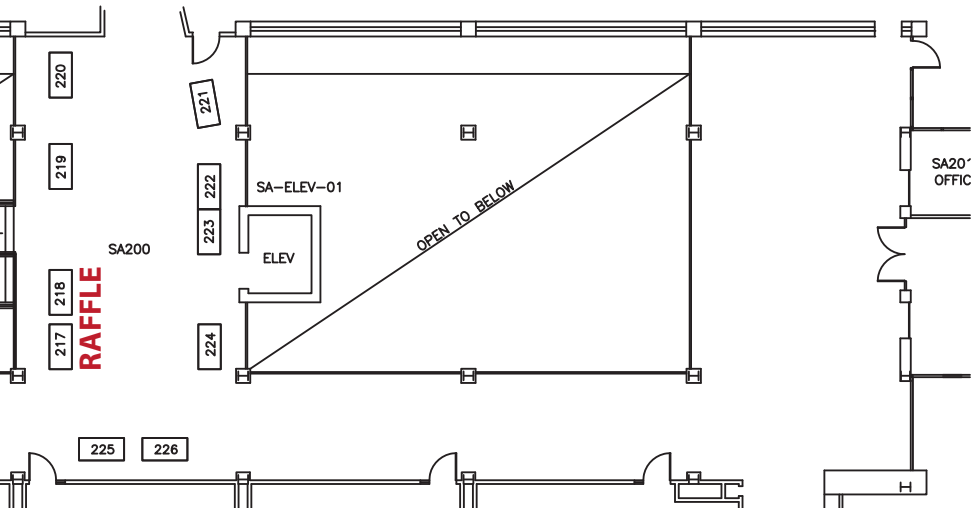
Second Floor



Burrill Galleria



Burrill Galleria



Groups and Locations

Aero-Mist Inc.	120	Howard Astronomical League	Outside
Baltimore Metropolitan Council (BMC)	131	Howard Community College Radio	223
Better Together Parties & Events	140	Howard Commuter Solutions	7
British American Auto Care. Inc	22, 23	Howard County Beekeepers Association Inc	14
Caretta Nature Tours	106	Howard County Bird Club	110
Citizens Climate Education & Citizens Climate Lobby	112	Howard County HoCoGro	225
Civic Works/Retrofit Baltimore	35	Howard County Rec & Parks	221, 222, 224
Clark's Farm	136	Howard County Recycling Division	217, 218
Columbia Association	102	Howard County Roving Radish	29
Community Ecology Institute	24, Outside	Howard Soil Conservation District	15
Delta Gems (Delta Sigma Theta Sorority, Inc.)	10	Howard County Stormwater Division	139
Direct Energy Solar	130	Iota Lambda Omega, Alpha Kappa Alpha Sorority, Inc	119
Earth Forum of Howard County	115	Keystone Wildflowers	Outside
Ecobeco LLC	12	Kitchen Saver	123
Energy Services Group	137, 138	Kollar Nursery	Outside
Green Market Full Circle Plant Food	Outside	Lauren's Garden Service	8, Outside
Green-Living Homes	16	LeafFilter North of Maryland, Inc.	18
Gutter Helmet by Harry Helmet	109	League of Women Voters	128
Happy House n' Gardens, LLC	Outside	Love Dove Farms	116
HoCo Climate Change	21	Manor Hill Brewing	135

Sponsors are noted in bold.

Groups and Locations

Maryland Department of the Environment	104	Solar City	28
Maryland Insurance Administration	33	Solar City	111
Meadowsweet Native Plant Farm	Outside	Solar Energy World	19
Mid Atlantic Bath (Bath Fitter)	132	Standard Energy Solutions	36
Mid-Atlantic Turtle & Tortoise Society	Wild Life Room	Summit Insulation	129
Mid-Atlantic Waterproofing	17	The Friends of Whipps Cemetery & Memorial Gardens, Inc.	31
Middleton Advisory	219	The Howard County Conservancy	121, 122
MOM's Organic Market	108	The James and Anne Robinson Nature Center	220
Motyka Art	107	The Juice Plus & Co	127
My Sweets and More	Outside	The Salvages Soiree	30
Neighborhood Sun	133	TLV Tree Farm	Outside
Norwex	34	Transition Howard County	20
NutriGrown, LLC	26, 27	University of MD Extension Howard County- Master Gardener Program	124, 125, 126
Office on Aging- Cycle 2 Health	226	University of MD Extension Howard County- Watershed Stewards Academy	118
Patapsco Heritage Greenway	13	Urban Wildlife Man	114
Power Home Remodeling Group	32	Viridian Energy	117
Real Food Real Close	Outside		
Relay Foods	25		
River Hill Watershed Advisory Committee	103		
River House Pizza Co., LLC	Outside		
Sasaki Associates, Inc	134		
Shepherd's Spring	11		
Sierra Club	107		

Sponsors are noted in bold.

Our Sponsors



Community Ecology Institute



Howard County
Soil Conservation
District

