

*10th Anniversary!*

Howard County  
**GreenFest** 

**Saturday, April 22, 2017 • 10 a.m. - 4 p.m.**  
**Howard Community College**



**FREE and FUN for the whole family!**

**Green Vendors • Free Workshops • Lunch & Snacks**  
**Kids Activities • Native Plant Sale**  
**Recycling Opportunities • Reptile & Bird Exhibit**  
**Photo Booth • Outdoor Activities • Paper Shredding**  
**Compost Bin & Rain Barrel Demos**

**Don't miss your chance to win the GRAND PRIZE!**  
**visit [www.HCGreenFest.org](http://www.HCGreenFest.org)**

## A message from the County Executive



I am so glad you are able to join us for the 10th annual GreenFest. This is the first GreenFest to be held on Earth Day, showcasing how we believe that every day should be Earth Day in Howard County!

This event has so much to offer residents of all ages. Starting outside, there is an outdoor play space, telescopes for sun watching, the opportunity to purchase native plants and great lunch choices. Indoors, there are more than 75 vendors including

solar companies, gardening services, environmental nonprofits and more.

Starting at 10:30 a.m. and running throughout the day will be workshops providing learning experiences about backyard butterflies, building a rain garden, making eco-friendly cleaning supplies, saving energy at home and other topics. GreenFest offers so much great information about how important the environment is to our daily lives.

Thanks to the more than 15 sponsors and many volunteers who made this day possible. Also, thanks to the staff of the Department of Public Works' Recycling Division, Department of Recreation and Parks and the Office of Community Sustainability for organizing this great event.

All the best,

A handwritten signature in blue ink that reads "Allan". The signature is fluid and cursive.

Allan

## Thank you to our sponsors:

**Alpha Kappa Alpha Sorority, Inc,  
Iota Lambda Omega Chapter**

**British American Auto Care, Inc**

**Clark's Farm**

**Columbia Academy**

**Columbia Association**

**Gutter Helmet by Harry Helmet**

**HoCo Climate Action**

**Howard Commuter Solutions**

**Howard Soil Conservation District**

**Lauren's Garden Service**

**League of Women Voters of  
Howard County**

**Mid Atlantic Bath "Bath Fitter"**

**MOM's Organic Market**

**Rehrig Pacific Company**

**The Community Ecology Institute**

**Transition Howard County**

**University of MD Extension Howard  
County Master Gardeners**

**University of MD Extension Howard  
County Stormwater Management**

# Schedule of Events

	Class Room 1 CL Room 167	Class Room 2 CL Room 168	Class Room 3 Auditorium N220
10:30	Community Solar 101: Solar that's not on your Rooftop - Neighborhood Sun	Backyard Butterflies - Linda Hunt	
11:00	Water WatchDog: Pollution Identification for Citizens - Lori Lilly	Native Watergardening for Wildlife - Robyn Rhudy	Rain Barrel Workshop - Amanda Rockler, UMB Seagrant
11:30			
12:00	Nutrient Input, Harmful Algal Blooms, and What We Can Do To Help - Patapsco Heritage Greenway	Deer Resistant Plants for Shade Gardens in Howard County - Lauren's Garden Service	Howard County Planet Protection Program - Student Initiatives in Environmentalism
12:30	Creating a Humane Garden: How to Nurture a Wildlife Habitat in Your Own Backyard - Nancy Lawson	Learn About Turtles - Mid-Atlantic Turtle and Tortoise Society	GreenFest Awards: Recycling Coloring Book Contest Awards Community Ecology Institute Awards
1:00			
1:30	The Impact of Buildings on Birds - Lights Out Baltimore	Northern Snakehead Fish in Howard County: Facts VS Fiction - April Altamira	Mr. Besley's Forest: A documentary about Maryland's First State Forester - HC Forestry Board
2:00	Raising Backyard Chickens - Cathy Hudson & Van Wensil	Saving Energy at Home: Concepts and Incentives - BGE and Columbia Association	The Messenger: A documentary about the plight of birds in the modern age.
2:30			
3:00			

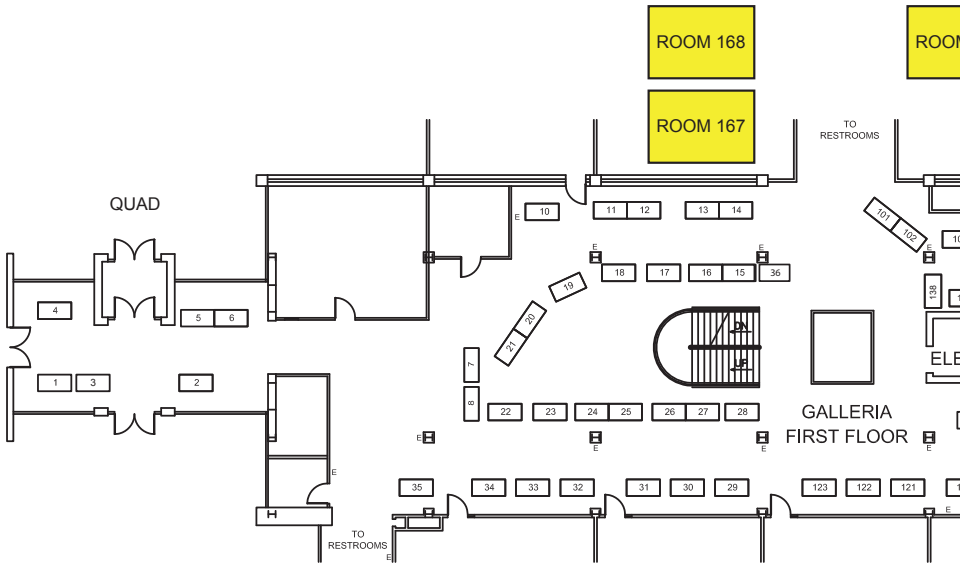
**Classroom CL 162: Small Collections:** 10am - 4pm, Eyeglasses, Cell phones for domestic violence victims, Denim jeans for textile recycling, CD's/DVD's for recycling, Binoculars for youth birding programs

**Classroom CL 164:** Repair Café with Transition Howard County - 12pm - 2pm, bring broken items from home such as toasters, lamps, clothes, toys, or electronics. Specialists will evaluate the items and fix as many of them as they can for FREE. Volunteers will also give advice about repairing items too large to bring along.

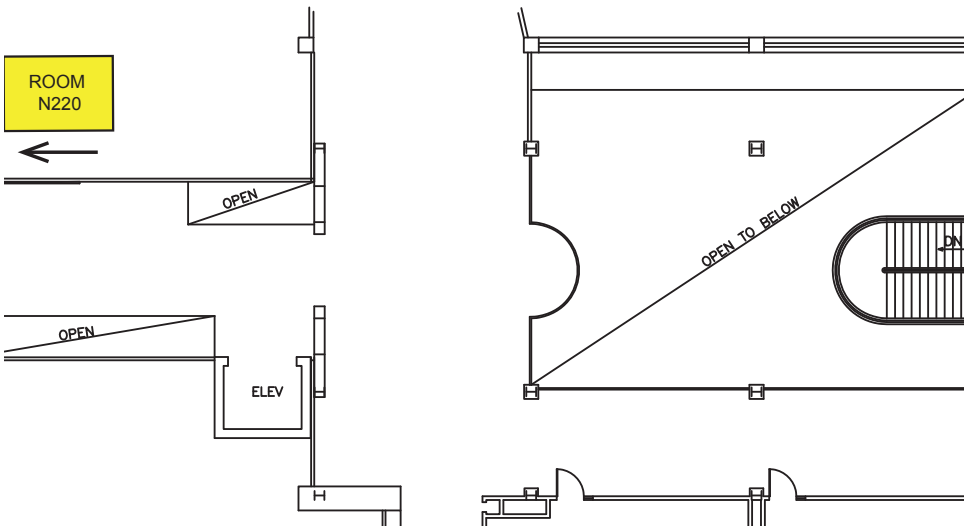
**Parking Lot F:** 10am - 4pm, Goodwill Collection Truck  
10am - 2pm, Paper Shredding - bring up to 3 boxes or bags of paper per person.

**Quad:** 10am - 4pm Native Plant Sale, Outdoor Play Space by Columbia Families in Nature, Planting Native Bulb Garden, Scholarship Drive: Columbia's 50th Anniversary Scholarship Forest, chainsaw sculpturing.

# First Floor Bu

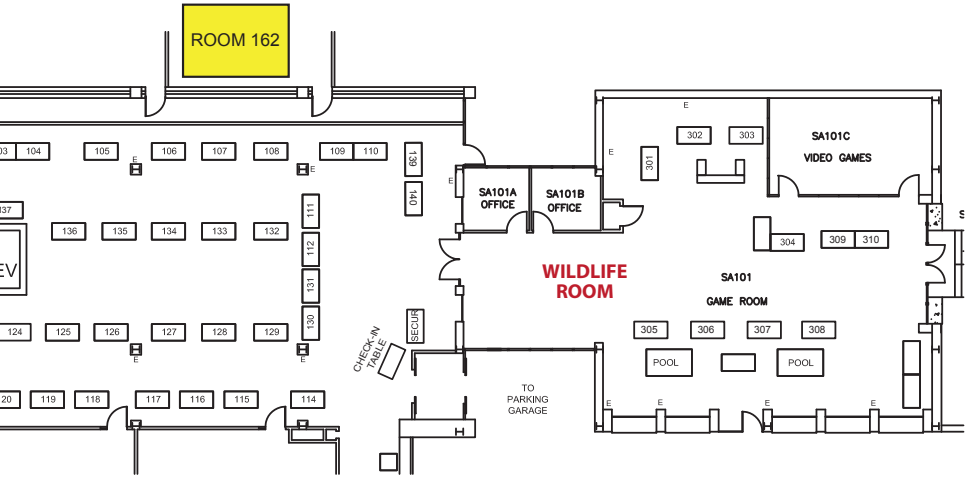


# Second Floor

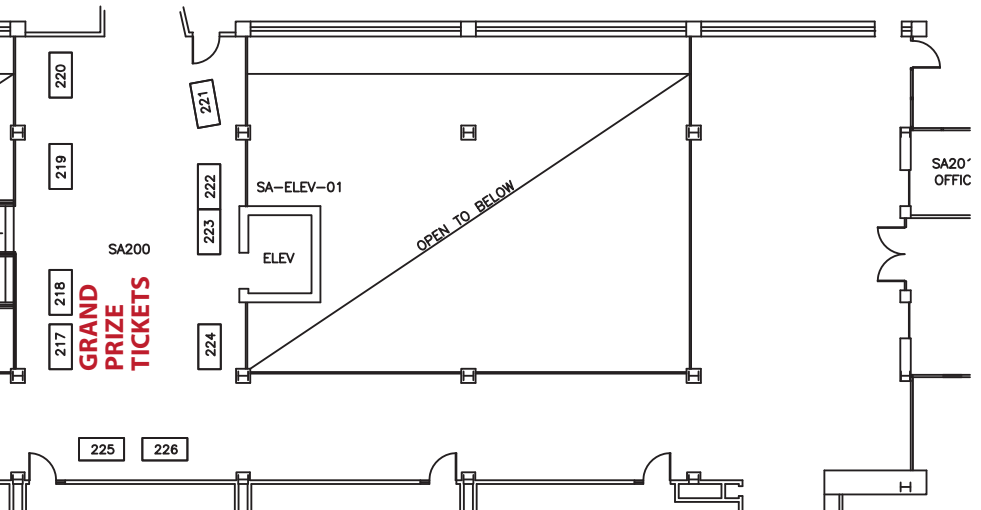


# Burrill Galleria

M 164



# Burrill Galleria



## Groups and Locations

Aero Mist Inc	19	<b>Howard Commuter Solutions</b>	21
<b>Alpha Kappa Alpha Sorority, Inc, Iota Lambda Omega Chapter</b>	108	Howard County Beekeepers Association	127
Alpha Kappa Alpha Sorority, Inc, Omega Eta Omega Chapter of Greater Howard County	109, 110	Howard County Bird Club	24
Aurora Energy Inc	120	Howard County Citizens Climate Education/Citizens Climate Lobby	32
Baltimore Metropolitan Council	115	Howard County Conservancy	26, 27
Black Flag Brewing Company	126	Howard County DPW- Utilities	10
<b>British American Auto Care, Inc</b>	121, 122	Howard County Farm Bureau	105
Caliber Carvings	Quad	Howard County Forest Conservancy Board	222
Caretta Nature Tours	117	Howard County Park Rangers	221
Center for Vein Restoration	112	Howard County Recreation and Parks	220
Civic Works- Retrofit Baltimore	29	Howard County Recycling Division	217, 218
<b>Clark's Farm</b>	14	Howard County Roving Radish	224
<b>Columbia Academy</b>	8	Howard County Storm Water Mgmt	226
<b>Columbia Association</b>	101, 102	<b>Howard Soil Conservation District</b>	23
Columbia Community Exchange	116	Humane Gardener	30
Community Action Council of Howard County	114	Keystone Wildflowers	Quad
Direct Energy Solar	15	Kitchen Saver	17
Full Circle Plant Probiotic	Quad	Kollar Nursery	Quad
<b>Gutter Helmet by Harry Helmet</b>	25	Lasting Light Wellness	28
HCC Radio	223	<b>Lauren's Garden Service</b>	36
<b>HoCo Climate Action</b>	12	LeafFilter North of Maryland, LLC	132
HoCoGro	225		
Howard Astronomical League (HAL)	Quad		

**Sponsors are noted in bold.**

## Groups and Locations

<b>League of Women Voters of Howard County</b>	7	Snakehead Fish in Maryland	Wildlife Room
Maryland Association of Floodplain and Stormwater Managers (MAFSM)	124	Solar Energy World	111
Maryland Department of the Environment	31	Success in Style	103
Maryland Insurance Administration	11	Sustainable Energy Systems, LLC	137
MD EV	138	<b>The Community Ecology Institute</b>	Quad
Meadowsweet Native Plant Farm	Quad	TapSnap	139, 140
<b>Mid Atlantic Bath “Bath Fitter”</b>	129	The Friends of Whippys Cemetery and Memorial Gardens, Inc.	33
Mid-Atlantic Turtle & Tortoise Society (MATTS)	Wildlife Room	TLV Tree Farm, LLC	Quad
Mio Reggio	125	<b>Transition Howard County</b>	13
<b>MOM’s Organic Market</b>	131	<b>University of MD Extension Howard County</b>	133, 134
My Sweets and More	Quad	<b>University of MD Extension Howard County</b>	135, 136
Neighborhood Sun	130	Urban Wildlife Man	106
Norwex	35	USFWS Patuxent Research Refuge	128
NutriGrown	118, 119	Viridian Energy	16
Patapsco Heritage Greenway	18		
Power Home Remodeling Group	22		
Renewal By Andersen	123		
River House Pizza Co., LLC	Quad		
Robinson Nature Center	20		
Side Alpha Holdings, LLC (Tiny House Expos)	104		
Sierra Club of Howard County	107		

**Sponsors are noted in bold.**

# Our Sponsors

